



**GOLDEN
DYNAMICS
(PVT) LTD.**



NOWA




**CENTRIFUGAL
PUMPS**

GCP SERIES



CONTENTS

■ Message from CEO	01
■ Profile	02
■ NOWA Centrifugal Pumps	04
■ Product Pictures	05
■ Component Detail with Cross Sectional View	06
■ Dimension Table of NOWA Centrifugal Pumps (Bare Shaft)	07
■ Performance Chart	08
■ Performance Table	10
■ ISO Certification	13



Message from CEO

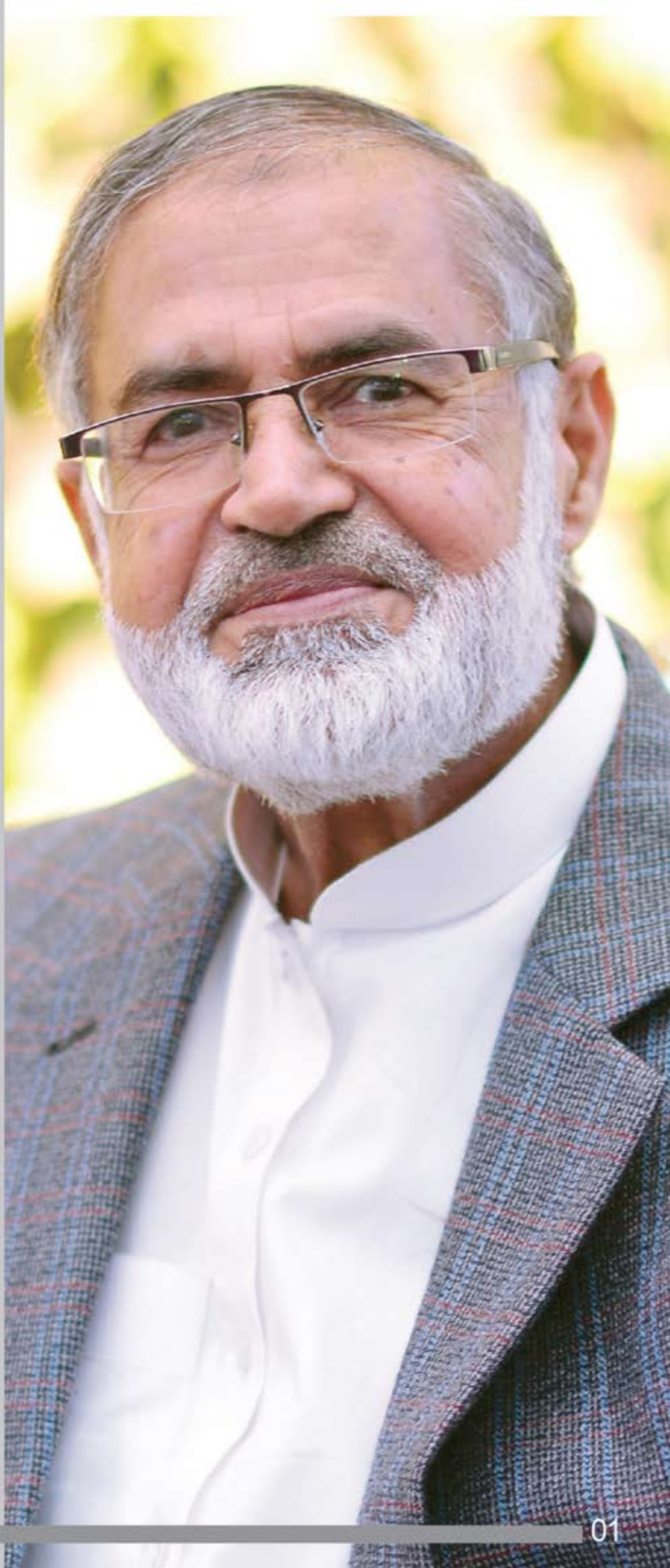
At **GOLDEN DYNAMICS**, we believe that we are ideally placed to cater your pumps / motors requirements whether it is for basic need, such as mono-block pump for your domestic utilization or specialized needs, such as centrifugal pumps for chemicals, beverage, dairy sector, large submersible pumps for water supply schemes, non-clogging pumps for rain / flood water, high-pressure pumps for high raise buildings. We are here to fulfill your residential commercial, agricultural, industrial, public, mining and off-shore sector needs.

With more than seven decades of manufacturing industry experience under its belt, **GOLDEN DYNAMICS** engineers are confident that they have both the breadth of knowledge and profundity of involvement to offer proficient services from essential concepts all the way to the administration of turn-key ventures and beyond. We strive to utilize exceedingly persuaded and capable individuals who are devoted to put forth solutions that maximize esteem for our clients.

GOLDEN DYNAMICS endeavors to assist its clients to address their specific needs by providing them quality products in a cost-effective manner. We believe that our product quality is the key to our non-stop clientele growth. It distinguishes us from the rest of the manufacturing industry and has significantly contributed in developing **GOLDEN DYNAMICS** into an amazing company.

Today's client requests innovative products, which hold elevated degree of unwavering quality and strength. That's what you get at **GOLDEN DYNAMICS**, cutting-edge innovative product design, strong execution, and a lifetime of convenience.

And when we say "For Life", we mean it!



Profile

Haji Ghulam Rasool Mughal laid the foundation of Golden Pumps in 1950. Since its inception, the company set its goal of supplying durable and reliable pumping systems to its customers. Late Haji Ghulam Rasool Mughal believed in hard work, innovation and unique customer experience. He handed-over the baton to Mr. Abdul Rauf Mughal (Chief Executive), who carried the company with his exceptional skills while keeping the founder's goals and beliefs in sight at all times and placed the company at the top among the locals in Pakistan.

In 2018, the Company regained its name as **GOLDEN DYNAMICS (PVT) LTD.** **GOLDEN DYNAMICS** continues to offer the unbeatable quality products and great service that customers have cherished over the past 70 years. Our offerings are the result of years of research and sheer hard work of a well-experienced team comprised of highly skilled, talented and dedicated engineers and worker who are always in pursuit of maintaining the high standards of production and are relentlessly searching the best solutions to enhance products quality.

Customers today demand products which deliver the highest degree of reliability and durability and are built using latest technology. That is what you get at **GOLDEN DYNAMICS**; cutting-edge products design utilizing modern technology, rock solid performance and lifetime of convenience. We firmly believe in serving our customers by giving them more than their money's worth and our unwillingness to compromise on quality at any cost.



GOLDEN DYNAMICS (PVT) LTD.



GOLDEN DYNAMICS

GOLDEN DYNAMICS is committed to produce top of the range products in its three units in Gujranwala. The company takes huge pride in being the market leader in offering a wide product range and setting higher industry standards in pumps technology. Today, it has become the symbol for quality and reliability in the pumping solutions market. With a glorious history of over 70 successful years, **GOLDEN DYNAMICS** has achieved tremendous success through utmost hard work, consistent quality, research, and innovation.

GOLDEN DYNAMICS has also collaboration with **Honda Atlas Power Product (Pvt) Ltd., Pakistan (HAPPL)**. HAPPL imports from Japan and distributes **Honda** power products such as, generators, engines and water pumps in Pakistani market. **Honda** not only supplies its '4-Stroke Engines for coupling with **GOLDEN DYNAMICS** quality products but also provides spare parts, technical support and training. **GOLDEN DYNAMICS** is the **ONLY OEM** pumps manufacturing company of Honda in Pakistan.

GOLDEN DYNAMICS is also an Official Partner of **Zhejiang Jinlong Electric Machinery Stock Co., Ltd. (JLEM)**, a renowned company for its high efficiency electric motors and invertors. **JLEM** has expertise in motor technology research, development, manufacturing, and energy solutions. **JLEM** is member of China rotating motor industry standard committee and IEC standard working group and manufactures all the products in conformity with the IEC standards and all other standards of various countries i.e. NEMA, GOST, CECP etc. The **JLEM** branded motor has been granted the honor of China Top Brand and has been certified for the exemption from export inspection. **JLEM** exports its products over 80 countries including Australia, Turkey, America, Canada, Russia, South America, Germany, Italy, UK and many more. The partnership allows **GOLDEN DYNAMICS** to bring a new range of efficient solutions and technologies to the local market in Pakistan hence further increasing choices for its customer.

GOLDEN DYNAMICS is an Official Partner in Pakistan with world renowned pumps & motors manufacturing company '**SAER ELETROPOMPE S.p.A., Italy**. **SAER** is one the world's largest pumps & motors manufacturing company with more than 50 years of experience. It covers a wide range of pump technology and has satisfied customers in more than 120 countries. The partnership has enabled **GOLDEN DYNAMICS** to share its advance usage procedures and upgrade its pumping technology in mining, offshore, agricultural, industrial, domestic and public sector.

Success and growth of any industry based on continuous 'Research & Development. It is indeed a privilege to have '**R & D Collaboration**' with Pakistan's leading educational institution '**National University of Sciences & Technology (NUST), Islamabad**' which is the most vibrant institution and shines as a beacon of excellence on the horizon of technical education will assist to **GOLDEN DYNAMICS** in different fields of our industry i.e. new product development, product improvement, energy efficiency etc. NUST has collaboration with several national & International industries which is ultimate for achieving meaningful and worthwhile results in conducting applied sciences research.



Centrifugal Pumps

GCP is a series of Centrifugal Pumps with radial type vanes, closed impeller for different delivery heads and pumping capacity. These are horizontal single-stage end suction centrifugal pumps with solid construction offering continuous reliability, trouble-free service and high performance. These pumps are available with Loose Fast Flat Belt Pulley, V-Belt Pulley and in Bare Shaft models. Bare shaft pumps can be fitted with a heavy duty pedestal to give the machine high rigidity necessary for coupling it with electric motor. In case where it is not feasible to use electric motor, Diesel combustion engine and tractor P.T.O. shaft can also be used as prime mover.

These pumps feature on oversized support with grease lubricated (zz) ball bearings for longer life. According to specifications in some bearing housing oil is used while in others grease is used. Pumps with mechanical seals are also available with stainless steel shaft. Similarly, pumps with soft packed gland seal are equipped with stainless steel or carbon steel shaft according to the customer's demand. Closed impellers are used (according to the customer's requirement) of close grained cast iron, S.G. iron, bronze or stainless steel, dynamically balanced for smooth running. Similarly, body and suction cover are used (according to the customer's requirement) of close grained cast iron or stainless steel. All other components of the pumps are made of the best suited materials and machined under strict "Quality Control" supervision to ensure a perfect and longer operating life.

These pumps comprise vast experience acquired both in designing and manufacturing, as well as in the most common applications, such as, public or industrial water supply, construction sites, hotels, fire fighting stations, irrigation, fresh water handling, hot or over-heated water circulation in heating systems, etc.

The extended model range, the possibility of direct coupling to electric motor or diesel combustion engine and availability of special construction of "Mobile Trolley" on demand are enabling offers for each of the different applications, the best solution for dependability, efficiency and energy conservation.

These pumps are not only suitable for clean, chemically and mechanically non-aggressive water but also designed for a wide range of industrial chemicals.



Bare Shaft Pump



Mono Block Pump



Loose-Fast Pulley Pump



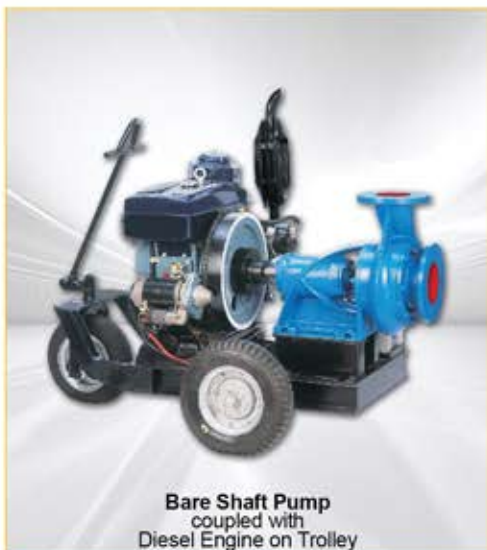
V-Belt Pulley Pump



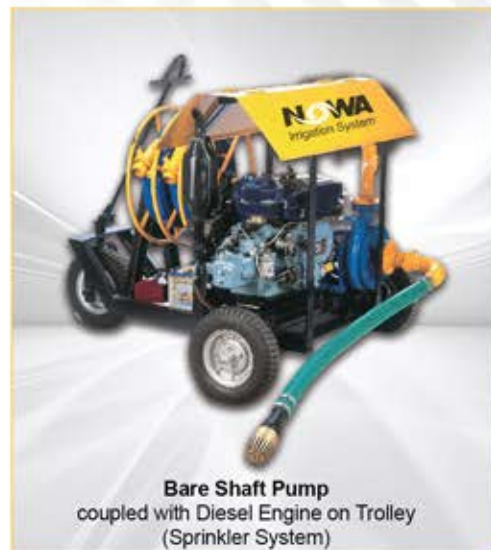
**Bare Shaft Pump
coupled with Diesel Engine**



**Bare Shaft Pump
coupled with Electric Motor**



**Bare Shaft Pump
coupled with
Diesel Engine on Trolley**

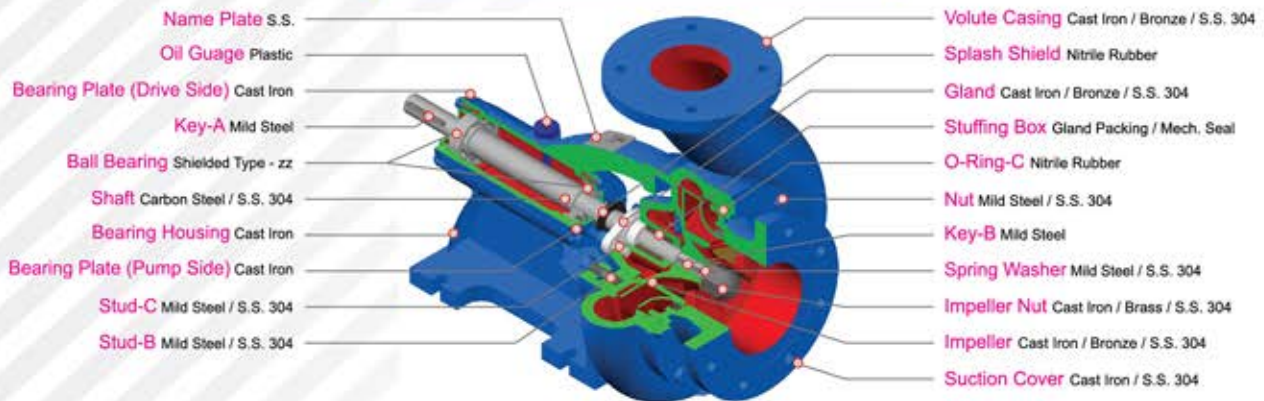


**Bare Shaft Pump
coupled with Diesel Engine on Trolley
(Sprinkler System)**

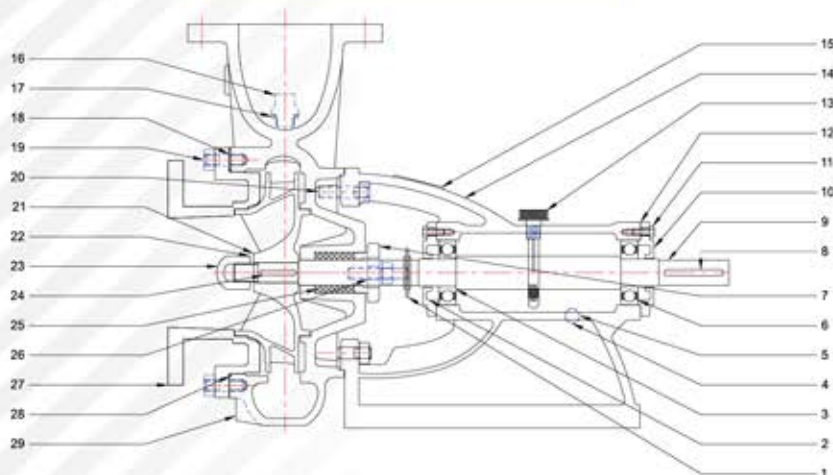
Centrifugal Pump

GCP Series

Cross - Sectional View

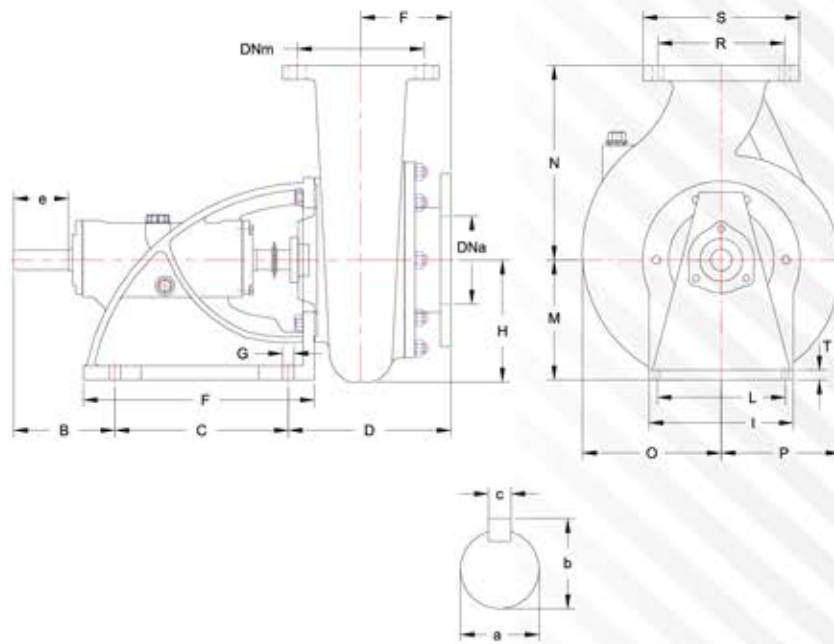


Schematic Diagram



No.	Description	Material
1	Splash Shield	Nitrile Rubber
2	Bearing Plate (Pump Side)	Cast Iron
3	Ball Bearing (Pump Side)	Shielded Type - zz
4	O- Ring-A (Oil Drain Plug)	Nitrile Rubber
5	Oil Drain Plug	Mild Steel
6	Ball Bearing (Drive Side)	Shielded Type - zz
7	Gland	Cast Iron / Bronze / S.S. 304
8	Key-A Coupling / Pulley	Mild Steel
9	Shaft	Carbon Steel / S.S. 304
10	Bearing Plate (Drive Side)	Cast Iron
11	Bolt	Mild Steel
12	Gasket	Paper
13	Oil Guage	Plastic
14	Bearing Housing	Cast Iron
15	Name Plate	ss

No.	Description	Material
16	Prime Plug	Mild Steel / Brass / S.S. 304
17	O-Ring-B (Prime Plug)	Nitrile Rubber
18	Stud-A (Suction Cover)	Mild Steel / S.S. 304
19	Nut	Mild Steel / S.S. 304
20	Stud-B (Bearing Housing)	Mild Steel / S.S. 304
21	Impeller	Cast Iron / Bronze / S.S. 304
22	Spring Washer	Mild Steel / S.S. 304
23	Impeller Nut	Cast Iron / Brass / S.S. 304
24	Key-B (Impeller)	Mild Steel
25	Stuffing Box	Gland Packing / Mech. Seal
26	Stud-C (Gland)	Mild Steel / S.S. 304
27	Suction Cover	Cast Iron / S.S. 304
28	O-Ring-C (Suction Cover)	Nitrile Rubber
29	Volute Casing	Cast Iron / Bronze / S.S. 304



Dimension Table

Model	Size	Bearing	DNa	DNm	A	B	C	D	E	F	G	H	I	L	M	N	O	P	T	Shaft Projection	Weight (kg)
mm																					
GCP 40-21	2" x 1.5"	6206	50	40	550	130	190	230	114	280	18	140	175	125	160	195	140	140	20	1	52
GCP 50-17	2.5" x 2"	6206	65	50	605	130	190	285	112	280	18	128	175	125	160	176	130	120	20	1	46
GCP 50-24	2.5" x 2"	6306	65	50	600	140	244	216	114	330	16	160	205	165	170	242	160	157	20	2	67
GCP 65-22	3" x 2.5"	6206	75	65	580	130	190	260	112	280	18	150	175	125	160	230	160	142	20	1	57
GCP 65-27	4" x 3"	6306	80	65	610	140	244	226	122	330	16	204	205	165	170	300	210	185	20	2	84
GCP 80-22	4" x 3"	6306	100	80	606	140	244	222	120	330	16	162	205	165	170	250	168	155	20	2	68
GCP 80-27	4" x 3"	6306	100	80	610	140	244	226	130	330	16	205	205	165	170	300	210	185	20	2	84
GCP 80-31	4" x 3"	6408	100	80	664	175	238	251	175	335	20	218	205	165	196	316	224	201	20	3	108
GCP 100-22	5" x 4"	6306	125	100	610	140	244	226	118	330	16	170	205	165	170	279	194	163	20	2	72
GCP 100-27	5" x 4"	6408	125	100	680	175	238	267	145	335	20	208	205	165	196	300	215	178	20	3	105
GCP 100-33	5" x 4"	6408	125	100	683	175	238	270	140	335	20	230	205	165	196	382	240	218	20	3	132
GCP 125-24	6" x 5"	6408	150	125	690	175	238	278	150	335	20	200	205	165	196	306	215	170	20	3	103
GCP 125-27	6" x 5"	6408	150	125	695	175	238	282	152	335	20	222	205	165	196	342	240	204	20	3	121
GCP 150-27-6	6" x 6"	6408	150	150	700	175	238	287	150	335	20	215	205	165	196	256	237	193	20	3	119
GCP 150-27	7" x 6"	6408	175	150	713	175	238	300	174	335	20	215	205	165	196	256	237	193	20	3	125

Shaft Projection

Type	a	b	c	e
	mm			
1	97	135	4	15
2	115	164	4	15
3	125	169	4	15

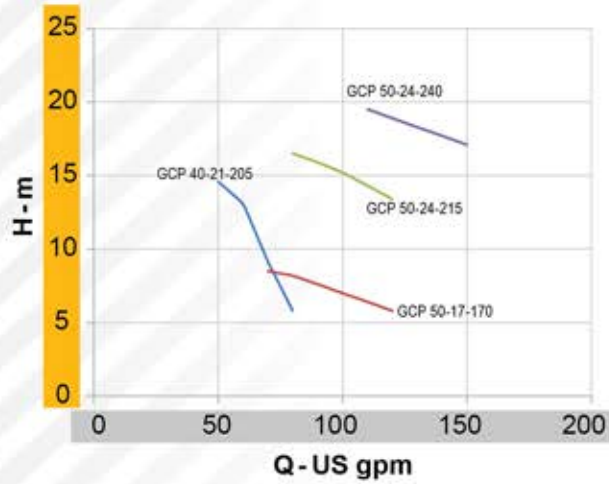
Flanges

Port	R	S	Holes	
DNm	mm		No.	ø mm
40	97	135	4	15
50	115	164	4	15
65	125	169	4	15
80	146	188	4	15
100	177	225	4	15
125	208	250	8	15
150	274	232	8	15

Performance Charts

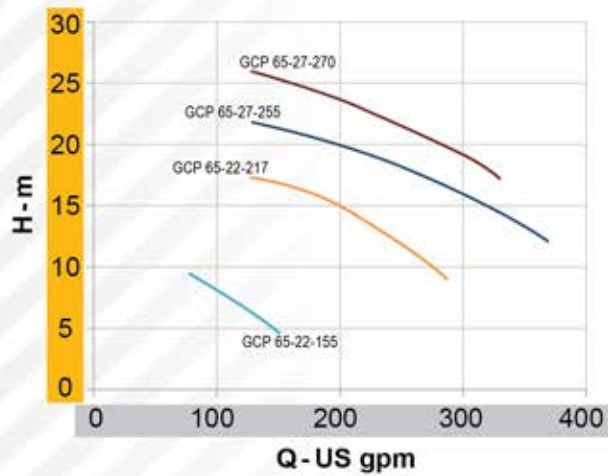
1- GCP 40-21-205 (2" x 1.5") / 2 HP / 1450 RPM
 2- GCP 50-17-170 (2.5" x 2") / 2 HP / 1450 RPM

3- GCP 50-24-215 (2.5" x 2") / 3 HP / 1450 RPM
 4- GCP 50-24-240 (2.5" x 2") / 5.5 HP / 1450 RPM



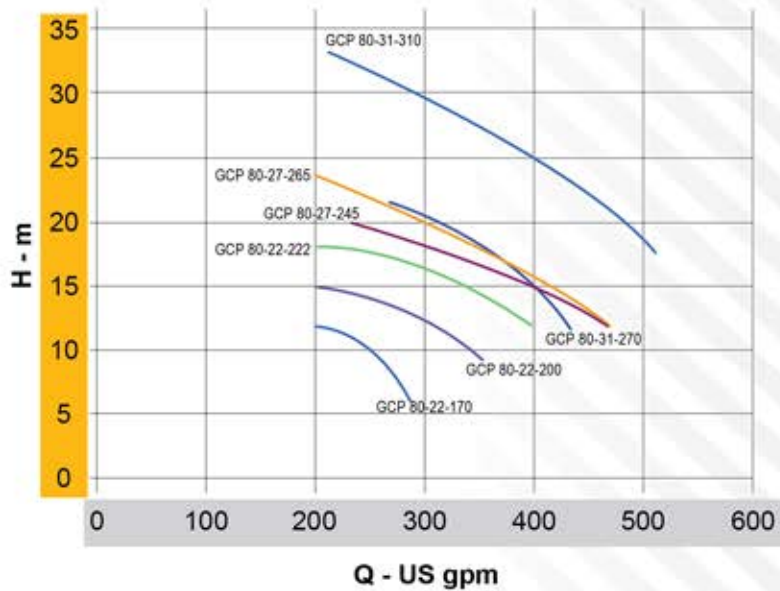
1- GCP 65-22-155 (3" x 2.5") / 3 HP / 1450 RPM
 2- GCP 65-22-217 (3" x 2.5") / 5.5 HP / 1450 RPM

3- GCP 65-27-255 (3" x 2.5") / 7.5 HP / 1450 RPM
 4- GCP 65-27-270 (3" x 2.5") / 10 HP / 1450 RPM



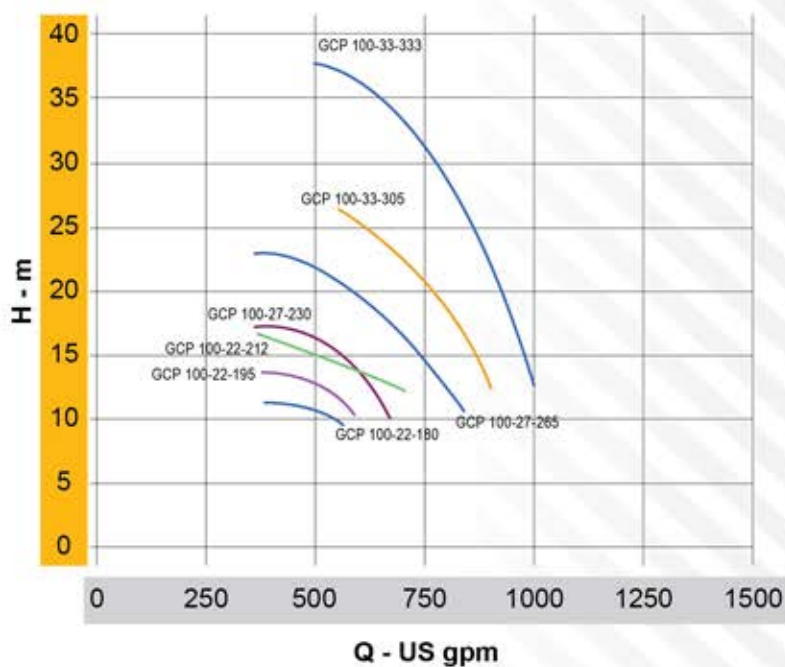
- 1- GCP 80-22-170 (4" x 3") / 3 HP / 1450 RPM
- 2- GCP 80-22-200 (4" x 3") / 5.5 HP / 1450 RPM
- 3- GCP 80-22-222 (4" x 3") / 7.5 HP / 1450 RPM
- 4- GCP 80-27-245 (4" x 3") / 7.5 HP / 1450 RPM

- 5- GCP 80-27-265 (4" x 3") / 10 HP / 1450 RPM
- 6- GCP 80-31-270 (4" x 3") / 10 HP / 1450 RPM
- 7- GCP 80-31-310 (4" x 3") / 15 HP / 1450 RPM



- 1- GCP 100-22-180 (5" x 4") / 5.5 HP / 1450 RPM
- 2- GCP 100-22-195 (5" x 4") / 7.5 HP / 1450 RPM
- 3- GCP 100-22-212 (5" x 4") / 10 HP / 1450 RPM
- 4- GCP 100-27-230 (5" x 4") / 10 HP / 1450 RPM

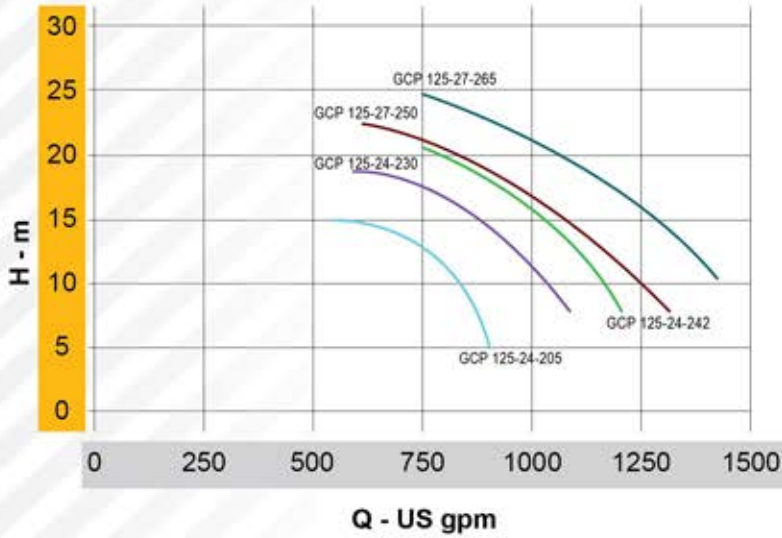
- 5- GCP 100-27-265 (5" x 4") / 15 HP / 1450 RPM
- 6- GCP 100-33-305 (5" x 4") / 20 HP / 1450 RPM
- 7- GCP 100-33-333 (5" x 4") / 25 HP / 1450 RPM



Performance Chart

- 1- GCP 125-24-205 (6" x 5") / 10 HP / 1450 RPM
- 2- GCP 125-24-230 (6" x 5") / 15 HP / 1450 RPM
- 3- GCP 125-24-242 (6" x 5") / 20 HP / 1450 RPM

- 4- GCP 125-27-250 (6" x 5") / 20 HP / 1450 RPM
- 5- GCP 125-27-265 (6" x 5") / 25 HP / 1450 RPM



Performance

Model	Size	Impeller Dia Ø mm	Motor		Q - Cap															
			HP	kW	11	13.6	15.9	18	20.5	22.7	25	27	29.5	31.8	34	36				
					50	60	70	80	90	100	110	120	130	140	150	160				
					189	227	265	303	341	379	416	454	492	530	568	606				
GCP 40-21	2" x 1.5"	205	2	1.5	14.6	13.1	9.1	5.8												
GCP 50-17	2.5" x 2"	170	2	1.5			8.5	8.2	7.6	7	6.4	5.8								
GCP 50-24	2.5" x 2"	215	3	2.2				16.5	15.9	15.2	14.3	13.4								
		240	5.5	4							19.5	18.9	18.3	17.7	17.1					
GCP 65-22	3" x 2.5"	155	3	2.2				9.5	8.8	8.2	7.6	7	6.1	5.5	4.6					
		217	5.5	4									17.4	17.1	16.8	16.5				
GCP 65-27	3" x 2.5"	255	7.5	5.5										22	21.6	21.3	21			
		270	10	7.5										25.9	25.5	25	24.6			

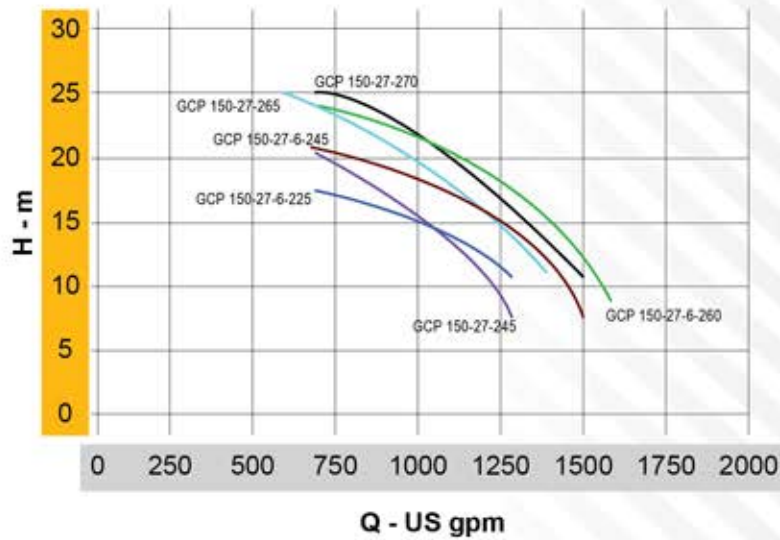
Model	Size	Impeller Dia Ø mm	Motor		Q - Cap															
			HP	kW	45	47.7	50	52	54.5	56.8	59	61	63.6	65.9	68	70	72.7			
					200	210	220	230	240	250	260	270	280	290	300	310	320			
					757	795	833	871	908	946	984	1022	1060	1098	1136	1173	1211			
GCP 80-22	4" x 3"	170	3	2.2	10.7	10.7	10.4	10.1	9.7	9.1	8.5	7.6	6.4							
		200	5.5	4	14.6	14.5	14.3	14	13.7	13.4	13	12.6	12.2	11.9	11.5	11.2	10.7			
		222	7.5	5.5	18.2	18.1	17.9	17.7	17.4	17.2	17.1	16.7	16.4	16.1	15.8	15.5	15			
GCP 80-27	4" x 3"	245	7.5	5.5				20.1	19.8	19.5	19.2	18.9	18.6	18.4	18	18	17.6			
		265	10	7.5				21.6	21.3	21	20.7	20.4	19.8	19.5	19	18.5	18			
GCP 80-31	4" x 3"	270	10	7.5				22.6	22.3	21.9	21.4	21	20.7	20.4	20.1	19.5	19.2			
		310	15	11				31.4	31.1	30.8	30.5	30.2	29.5	29.3	29	28.7	28.4			



Performance Chart

- 1- GCP 150-27-6-225 (6" x 6") / 20 HP / 1450 RPM
- 2- GCP 150-27-6-245 (6" x 6") / 25 HP / 1450 RPM
- 3- GCP 150-27-6-260 (6" x 6") / 30 HP / 1450 RPM

- 4- GCP 150-27-245 (7" x 6") / 20 HP / 1450 RPM
- 5- GCP 150-27-265 (7" x 6") / 25 HP / 1450 RPM
- 6- GCP 150-27-270 (7" x 6") / 30 HP / 1450 RPM



Performance Tables

Q - Capacity (m ³ /h - US gpm - lpm)																					
38.6	40.9	43	45	47.7	50	52	54.5	56.8	59	61	63.6	65.9	68	70	72.7	74.9	77	79.5	81.8	84	
170	180	190	200	210	220	230	240	250	260	270	280	290	300	310	320	330	340	350	360	370	
644	681	719	757	795	833	871	908	946	984	1022	1060	1098	1136	1173	1211	1249	1287	1325	1363	1401	
H - Total Head (m) @ 1450 RPM																					
16.2	15.9	15.2	14.9	14.6	14	13.4	12.8	12.1	11.6	11	10.1	9.1									
20.7	20.4	20.1	19.8	19.5	19.2	18.9	18.6	18.3	18	17.4	17.1	16.8	16.2	15.9	15.2	14.9	14.3	13.7	13.1	12.2	
24.1	23.8	23.5	23.2	22.9	22.6	22	21.6	21.3	20.7	20.4	19.8	19.5	18.9	18.3	17.7	17.1					

Capacity (m ³ /h - US gpm - lpm)																					
74.9	77	79.5	81.8	84	86	88.6	90.8	93	95	97.7	100	102	105	106.7	109	111	113.6				
330	340	350	360	370	380	390	400	410	420	430	440	450	460	470	480	490	500				
1249	1287	1325	1363	1401	1438	1476	1514	1552	1590	1628	1666	1703	1741	1779	1817	1855	1893				
Total Head (m) @ 1450 RPM																					
10.4	10	9.5																			
14.7	14.3	14	13.6	13.2	12.8	12.4	11.8														
17.4	17.1	16.8	16.5	16.2	15.9	15.5	15	14.5	14	13.7	13.3	12.8									
17.4	16.5	15.5	14.3	13.1	11.9																
18.9	18.6	18.3	17.7	17.4	16.8	16.2	15.9	15.2	14.6	14	13.4	12.8									
28	27.4	27.1	26.5	26.2	25.6	25	24.4	23.8	23.2	22.6	22	21.3	20.7	19.8	19.2	18.6	18				

Performance Tables

Model	Size	Impeller Dia Ø mm	Motor		Q - Capacity (m ³ /h - US gpm - lpm)													
					90.8	102	113.6	124.9	136	147.7	159	170	181.7	193	204	215.8	227	
					400	450	500	550	600	650	700	750	800	850	900	950	1000	
HP kW		1514	1703	1893	2082	2271	2461	2650	2839	3028	3218	3407	3596	3785				
H - Total Head (m) @ 1450 RPM																		
GCP100-22	5" x 4"	180	5.5	4	11.6	11.3	10.4	9.5										
		195	7.5	5.5	14	13.4	12.8	11.6	10.4									
		212	10	7.5	16.8	16.2	15.5	14.6	13.7	12.5	11.6							
GCP100-27	5" x 4"	230	10	7.5	17.7	17.1	16.2	14.9	13.7	12.5	10.4							
		265	15	11	22.3	22	21	20.1	18.9	17.4	15.5	13.7	11.9					
GCP100-33	5" x 4"	305	20	15				26.2	24.7	22.9	21	18.9	17.1	14.9	13.1			
		333	25	18.5				33.5	32.6	31.4	29.9	27.9	25.9	23.8	21.3	19.2	16.5	14

Model	Size	Impeller Dia Ø mm	Motor		Q - Capacity (m ³ /h - US gpm - lpm)																	
					124.9	136	147.7	159	170	181.7	193	204.5	215.8	227	238.5	249.8	261	272.5	283.9	295	306.6	318
					550	600	650	700	750	800	850	900	950	1000	1050	1100	1150	1200	1250	1300	1350	1400
HP kW		2082	2271	2461	2650	2839	3028	3218	3407	3596	3785	3975	4164	4353	4542	4732	4921	5110	5300			
H - Total Head (m) @ 1450 RPM																						
GCP 125-24	6" x 5"	205	10	7.5	14.9	14.3	13.7	12.8	11.9	10.7	8.2	5.2										
		230	15	11		19.2	18.9	18.3	17.7	17.1	15.9	14.9	13.7	12.2	10.7	8.5						
		242	20	15				20.4	19.8	19.2	18.3	17.7	16.8	15.9	14.3	12.8	11	8.8				
GCP 125-27	6" x 5"	250	20	15		22.3	22	21.3	20.7	20.1	19.5	18.6	18	17.1	15.9	14.9	13.7	12.2	10.7	9.1		
		265	25	18.5				24.4	24.1	23.5	22.9	22.3	21.6	20.7	19.8	18.9	18	16.8	15.5	14.3	12.8	10.7

Model	Size	Impeller Dia Ø mm	Motor		Q - Capacity (m ³ /h - US gpm - lpm)																						
					136	147.7	159	170	181.7	193	204	215.8	227	238.5	249.8	261	272.5	283.9	295	306.6	318	329	340.7	352	363		
					600	650	700	750	800	850	900	950	1000	1050	1100	1150	1200	1250	1300	1350	1400	1450	1500	1550	1600		
HP kW		2271	2461	2650	2839	3028	3218	3407	3596	3785	3975	4164	4353	4542	4732	4921	5110	5300	5489	5678	5867	6057					
H - Total Head (m) @ 1450 RPM																											
GCP 150-27-6	6" x 6"	225	20	15				18.6	18.3	17.7	17.4	16.8	16.2	15.5	14.9	14.3	13.7	13.1	12.2	11.3							
		245	25	18.5				21.3	21	20.4	20.1	19.5	19.2	18.6	18.3	17.7	17.1	16.5	15.9	14.9	13.7	12.5	11	9.5			
		260	30	22				24.1	23.8	23.2	22.9	22.3	21.6	21	20.4	19.8	19.2	18.6	18	17.1	16.2	15.2	14	12.5	11	9.1	
GCP 150-27	7" x 6"	245	20	15				20.4	19.8	19.2	18.6	17.7	16.8	15.9	14.9	13.7	12.8	11.6	10.4	9.1							
		265	25	18.5	24.7	24.4	23.8	23.5	22.9	22.3	21.6	21	20.1	19.2	18.3	17.4	16.2	15.2	14.3	13.1	11.9						
		270	30	22				25	24.7	24	23.5	22.9	22.3	21.3	20.7	19.8	18.9	18	17.1	16.2	15.2	14	12.8	11.3			

Company has been awarded ISO-9001:2015 'Quality Management Certificate. Company achieved this certificate for designing, development, procurement, manufacturing, inspection, testing, delivery and related after sales services of different types of pumps, electric motors, turbines and assembly of combustion diesel engines.



Performance, durability and reliability are the core values of **GOLDEN DYNAMICS**, which makes us one of the leading companies in Pakistan. This is the result of years of research, sheer hard work of experienced team members, talented engineers, highly skilled and devoted workers who are always busy not only maintaining the high standards in production but also continuously researching to enhance product quality.

Company would like to thank its valued customers, dealers and suppliers for their continuous support and feedback in all spheres of activities. Company is further improving efficiency to achieve excellence in its cordial customer relationship and ensure moral integrity in its dealings.

ISO Certificate



POWERED by
HONDA



SAER
ELETTROPOMPE

TÜV
AUSTRIA



Member of:
ppemma

Research Support by:



NUST
NATIONAL UNIVERSITY
OF SCIENCES & TECHNOLOGY



RACHNA
College of Engineering
and Technology,
Gujranwala



📍 G. T. Road, Gujranwala - PAKISTAN

☎ Tel: 055-3842756, 3843756, 4296355 | 📠 Fax: +92-55-3253254

🌐 www.goldendynamics.com | ✉ email@goldendynamics.com